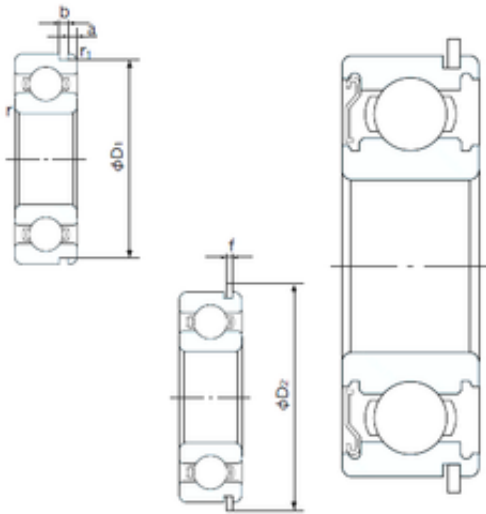




## AST BEARING OF AMERICA CORP.



75 mm x 130 mm x 25 mm NACHI 6215ZEMR deep groove ball bearings

Bearing No. 6215ZEMR

6215ZEMR Bearing 2D drawings and 3D CAD models

Size	75x130x25 mm
Bore Diameter	75 mm
Outer Diameter	130 mm
Width	25 mm
d	75 mm
D	130 mm
B	25 mm
C	25 mm
a	4.06 mm
b	3.1 mm
f	2.82 mm
r min.	1.5 mm
r1 min.	0.5 mm
D1	125.22 mm
D2	139.7 mm
Weight	1.18 Kg
Basic dynamic load rating (C)	66 kN
Basic static load rating (C0)	49,5 kN
(Grease) Lubrication Speed	4800 r/min
Enclosure	Single Shield with Snap Ring
Bore Type	Cylindrical Bore
Configuration	Single Row
Bore Size	75 mm
Outside Diameter	130 mm
Width	25 mm



## AST BEARING OF AMERICA CORP.

Fillet Radius/Chamfer	1.5 mm
r1	0.5 mm
Snap Ring Width	2.8 mm
Snap Ring Outside Diameter	139.7 mm
D1 (max)	125.2 mm
a (max)	4.1 mm
b (min)	3.1 mm
Dynamic Load Rating	66,000 N
Static Load Rating	49,500 N
Limiting Speed - Grease	4,800 rpm
Limiting Speed - Oil	5,600 rpm
Factor fo	14.7
Radial Clearance	0.010 to 0.030 mm
da (min)	84 mm
Da (max)	121 mm
Dx (min)	141.5 mm
ra (max)	1.5 mm
Cy (max)	6.5 mm